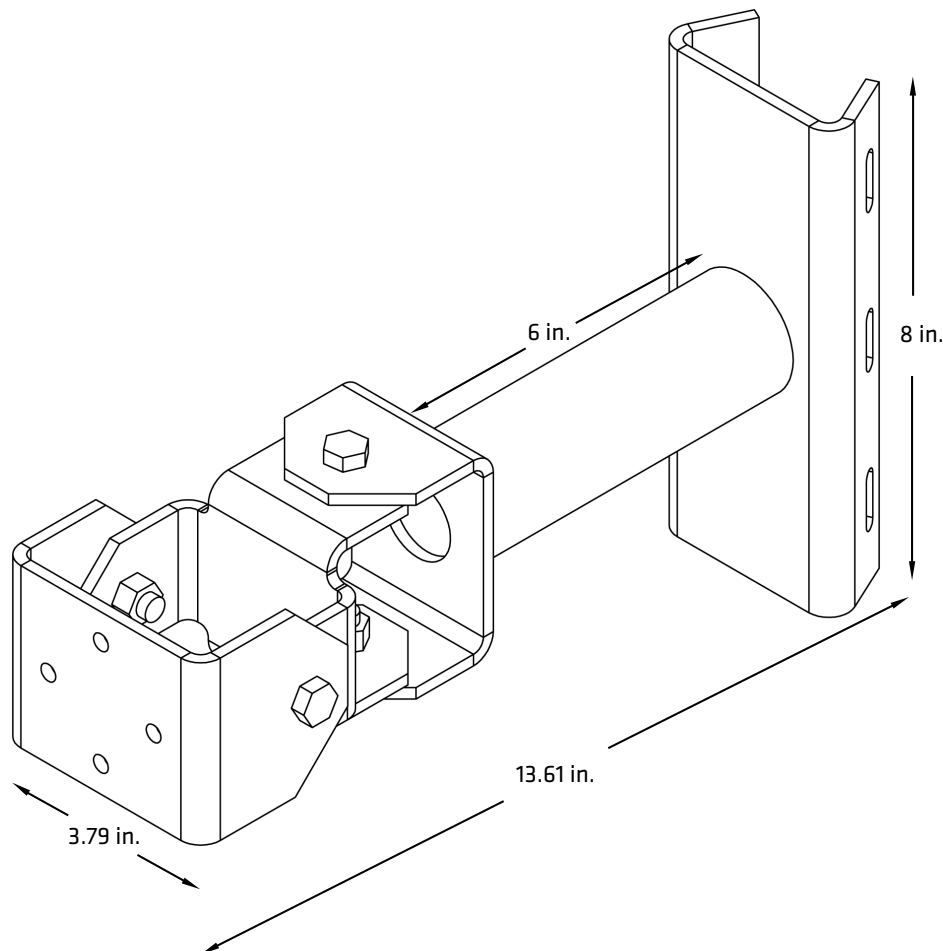
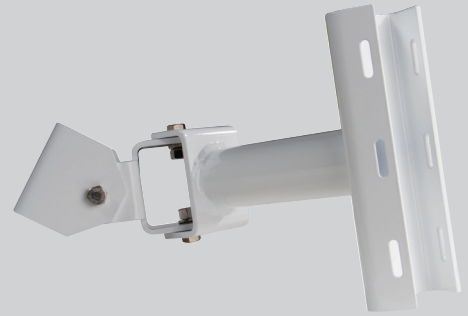


## SmartSensor Mount

The SmartSensor™ mount makes installation quick and easy by helping you securely mount any of the Wavetronix SmartSensors. Sturdily built of powder-coated aluminum for durability and weather-resistance, this mount can withstand whatever the elements throw at it.

### Features

- Two axes of rotation for horizontal and vertical positioning
- Mates with fixed and rotational back-plates on the SmartSensor V, Smart-Sensor HD, SmartSensor Advance, and SmartSensor Matrix
- Symmetric hole pattern for flexibility in sensor attachment
- Two contact points for attachment to circular or non-circular poles
- On circular poles, another axis of rotation around the pole is available
- Accepts 3/4" banding
- Supports a 20-lb. (6.8-kg) load
- Heavy duty aluminum construction makes mount sturdy and long-lasting
- Powder coated for oxidization resistance, allowing mount to withstand the harshest weather conditions





## Technical Specifications

### Mounting

- Rotational axes: 2
  - NOTE: SmartSensor Advance and SmartSensor Matrix are shipped with rotational backplate for third axis of rotation. SmartSensor V and SmartSensor HD can be ordered with rotational backplate if third axis is required.
- Maximum load: 20 lbs. (9.1 kg)
- Symmetric hole pattern that mates with fixed and rotational SmartSensor backplates
- Contact points with pole: 2
- Slotted for 3/4-in. (1.9-cm) banding
- Additional degree of movement achieved by using the 360-0129

### Construction

- Constructed of aluminum 0.1875 in. (0.48 cm) thick
- 316 stainless steel hardware
- Powder coated
- Weight: 3 lbs. (1.36 kg)

## Ordering Information

SmartSensor mount  
**SS-611**

### ACCESSORIES

**360-0129** – Add-on knuckle

## Wavetronix

**78 East 1700 South**

**Provo, UT 84606**

**801.734.7200**

**sales@wavetronix.com**

**www.wavetronix.com**

## SmartSensor Mount Bid Specification

**1.0 General.** This item shall govern the purchase of a traffic sensor mounting assembly equivalent to the Wavetronix SmartSensor™ mount.

**2.0 Mounting.** The mounting assembly shall provide at least two axes of rotation to ensure proper installation.

The mounting assembly shall be able to support at least a 20-lb. (9.1-kg) load.

The mounting assembly shall feature a symmetric hole pattern that mates with fixed and rotational SmartSensor backplates.

The mounting assembly shall have two contact points with the pole.

The mounting assembly shall be slotted for 3/4-in. (1.9-cm) banding.

**3.0 Construction.** The mounting assembly be constructed of 0.1875 in. (0.48 cm) thick or thicker aluminum with 316 stainless steel hardware.

The mounting assembly shall be powder coated for oxidation resistance.

The mounting assembly shall weigh 3 lbs. (1.36 kg)