

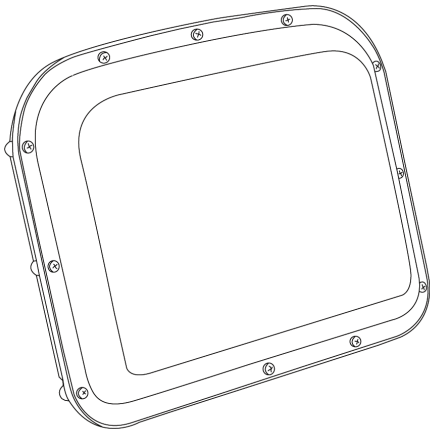


SmartSensor Matrix Demo Kit

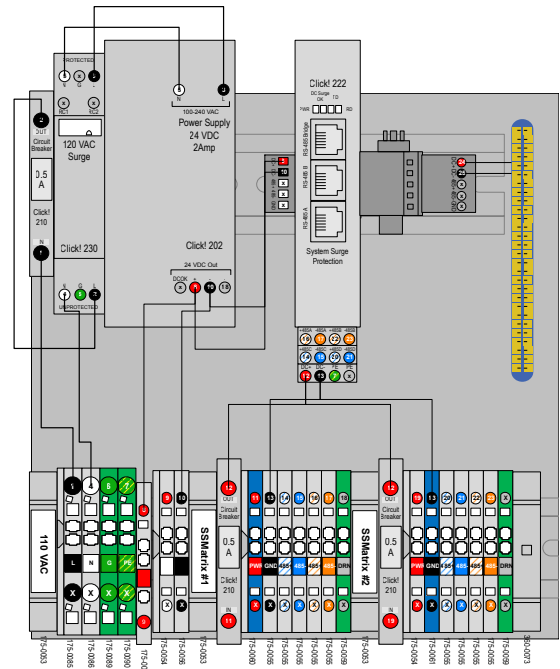
The SmartSensor™ Matrix demo kit, in combination with the SmartSensor install kit, allows for a roadside demonstration of the SmartSensor Matrix, from sensor setup to contact closure outputs. Using this kit, the demo system can be set up and operational in a matter of minutes.

Features

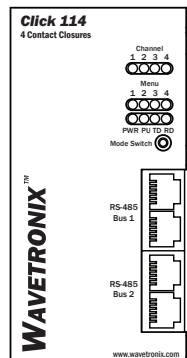
- Can be powered from 110 VAC or 12 VDC
- Includes power cords for three prong AC or cigarette lighter DC input power
- Includes an edge connector for demonstration of the Click 114 rack card
- Cables are terminated for quick plug-in demo step
- Provides a complete demo of sensor functionality from setup to contact closure outputs
- Hardware is transportable in a foam-lined, rugged case



SmartSensor Matrix



Matrix Demo Kit Preassembled Backplate



Click 114



Technical Specifications

Contents

- SmartSensor Matrix with mounting ball
- 20-ft. SmartSensor 6-conductor cable with connector
- Demo kit preassembled backplate
- Four channel contact closure input file rack card
- 8-ft. three-prong AC power cord
- 8-ft. DC input power cord with a cigarette lighter adaptor
- Two 8-in. RJ-11 patch cables for connecting the Click 114 to the preassembled backplate
- Pelican case

Ordering Information

SmartSensor Matrix demo kit
SS-DEMO-KIT

ACCESSORIES

SS-KIT – Wavetronix install kit

100-0037 – Heavy-duty telescoping tripod

Wavetronix

78 East 1700 South

Provo, UT 84606

801.734.7200

sales@wavetronix.com

www.wavetronix.com

SmartSensor Matrix Demo Kit Bid Specification

1.0 General. This item shall govern the purchase of a demonstration kit equivalent to the Wavetronix SmartSensor™ Matrix demo kit, for use in demonstrating radar vehicle sensing devices (RVSDs), equivalent specifically to the SmartSensor Matrix.

2.0 Product Description. The demonstration kit shall include the following elements: a SmartSensor Matrix with mounting ball; a 20-ft. 6-conductor cable with connector; a demo kit preassembled backplate; a four-channel contact closure input file rack card; a 8-ft. three-prong AC power cord; an 8-ft. DC input power cord with a cigarette lighter adaptor; two 8-in. RJ-11 patch cables for connecting the rack card to the preassembled backplate; and a pelican case.